

General Safety Information

NOTE:

- Carefully read the Service Instructions for CYBER NEXUS.
- Carefully read the Front Inter-M Brake System Service Instructions for roller brakes in conjunction with these Service Instructions when using the hub DH-3RB1 for roller brakes.
- Use a 6 V/ 2.4 W bulb for the front lamp and a 6 V/ 0.6 W bulb for the taillamp.

CE SI-2ZX0A

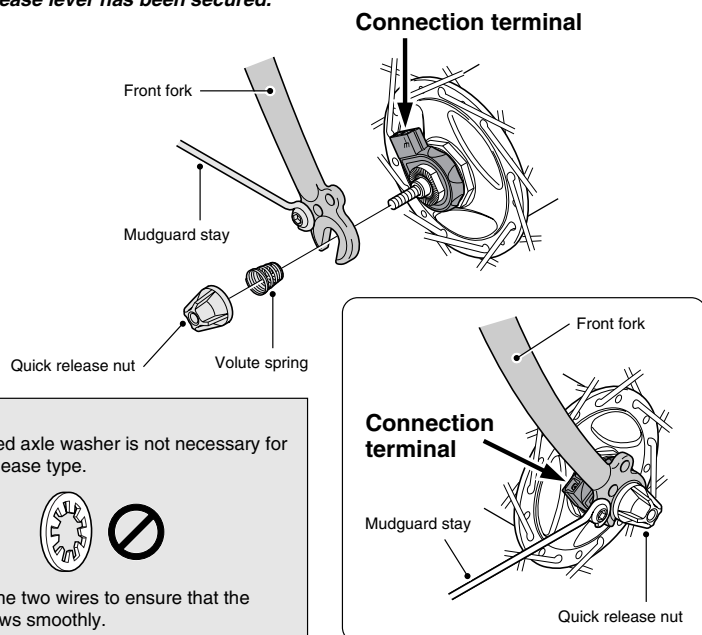
DH-3RB1
DH-3NB1

Hub Dynamo

Technical Service Instructions

Installation of the front wheel

Install the wheel so that the side with the hub dynamo connection terminal is on the right side when looking toward the front of the bicycle, and so that the hub connection terminal is aligned with the front fork or with the basket stay. Then install by following the procedure shown in the illustration below so that the connection terminal is facing upward. Do not force the connection terminal to turn after the quick release lever has been secured.



Note:

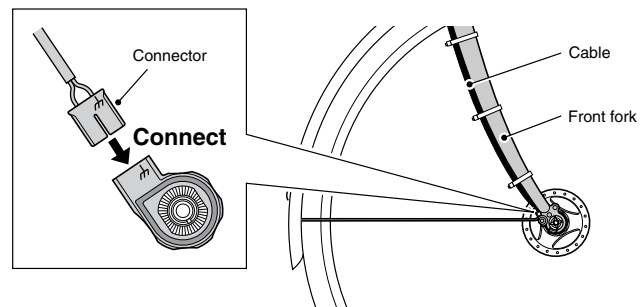
- The toothed axle washer is not necessary for a quick release type.



- Connect the two wires to ensure that the current flows smoothly.

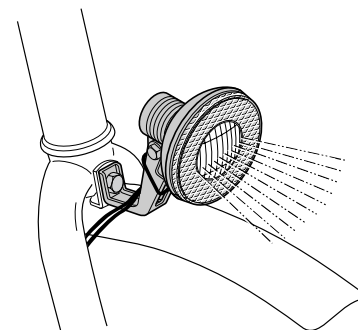
Removing and installing the front wheel

When removing the bicycle wheel, first remove the connector. If the cables are pulled strongly, it may break the cable wires or cause poor contacts. Furthermore, when installing the wheel, first secure the wheel to the front forks and then connect the connector.



Checking the lamp illumination

Before riding at night, rotate the front wheel and check that the lamp illuminates.



These service instructions explain how to use and maintain the Shimano bicycle parts which have been used on your new bicycle. For any questions regarding your bicycle or other matters which are not related to Shimano parts, please contact the place of purchase or the bicycle manufacturer.

Please note: Specifications are subject to change for improvement without notice. (English)

SHIMANO®

SHIMANO AMERICAN CORPORATION

One Holland, Irvine, California 92618, U.S.A. Phone: +1-949-951-5003

SHIMANO EUROPE HOLDING B.V.

Industrieweg 24, 8071 CT Nunspeet, The Netherlands Phone: +31-341-272222

SHIMANO INC.

3-77 Oimatsu-cho, Sakai, Osaka 590-8577, Japan