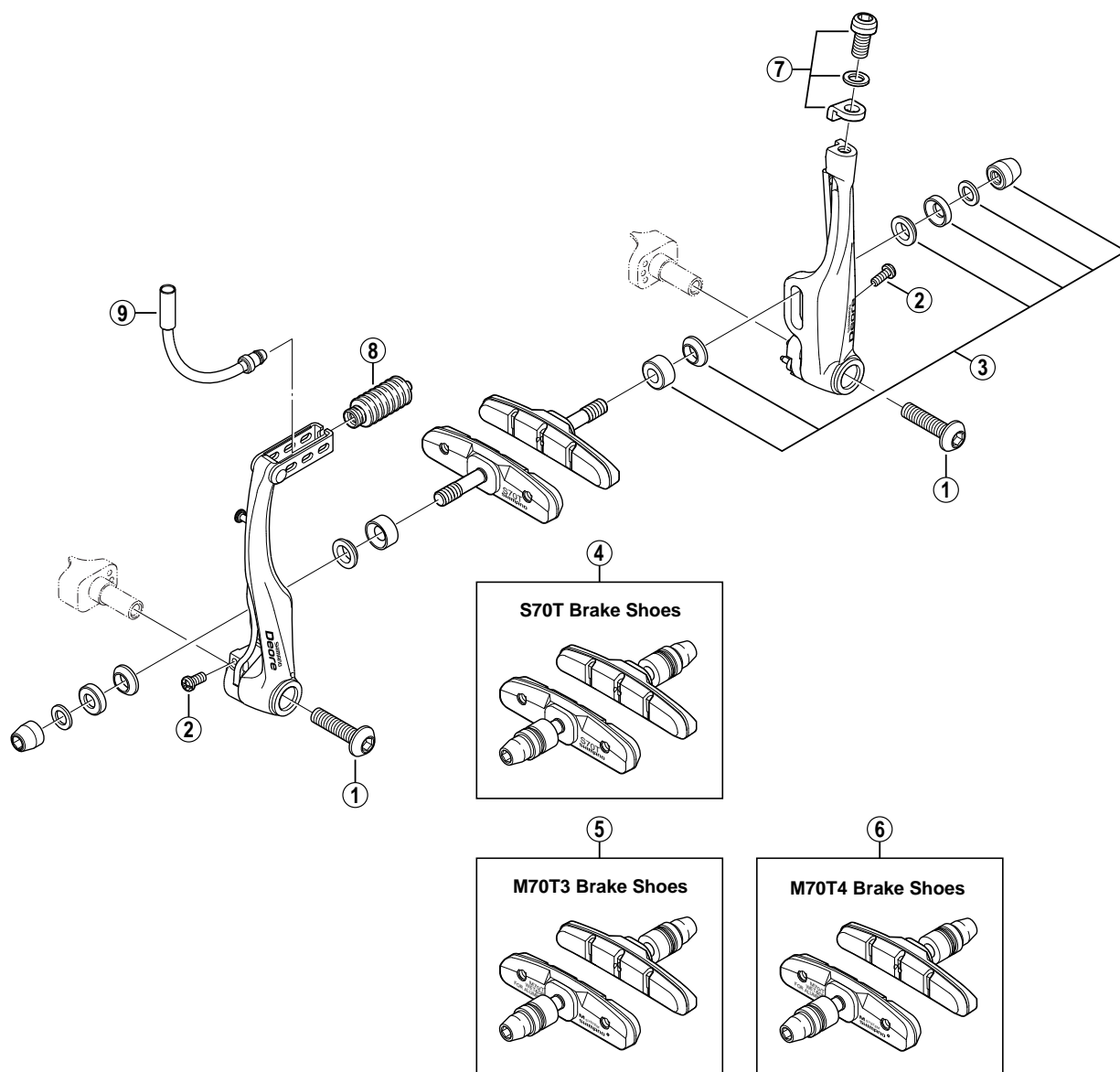


# DEORE V-BRAKE Brake BR-M530



ITEM NO.	SHIMANO CODE NO.	DESCRIPTION
1	Y-8DA 04000	Link Fixing Bolt (M6 x 16)
	Y-8DA 04010	Link Fixing Bolt (M6 x 25)
2	Y-8GV 05000	Spring Tension Adjustment Screw (M3 x 8)
* 3	Y-8DA 98020	Shoe Fixing Nut Unit
* 4	Y-8GV 9801A	S70T Brake Shoe Set (Pair)
* 5	Y-8BM9810A	M70T3 Brake Shoe Set (Pair)
* 6	Y-8BM9803A	M70T4 Brake Shoe Set (Pair)
7	Y-8GP 98020	Cable Fixing Bolt Unit (M6 x 11.5)
8	Y-8BP 14000	Boot
	Y-8AA 98070	Inner Cable Lead Unit (90°: Middle)
	Y-8AA 98080	Inner Cable Lead Unit (135°: Long)
	Y-8AA 98120	Inner Cable Lead Unit (45°: Short)

0509-2456A

Specifications are subject to change without notice.

# SHIMANO