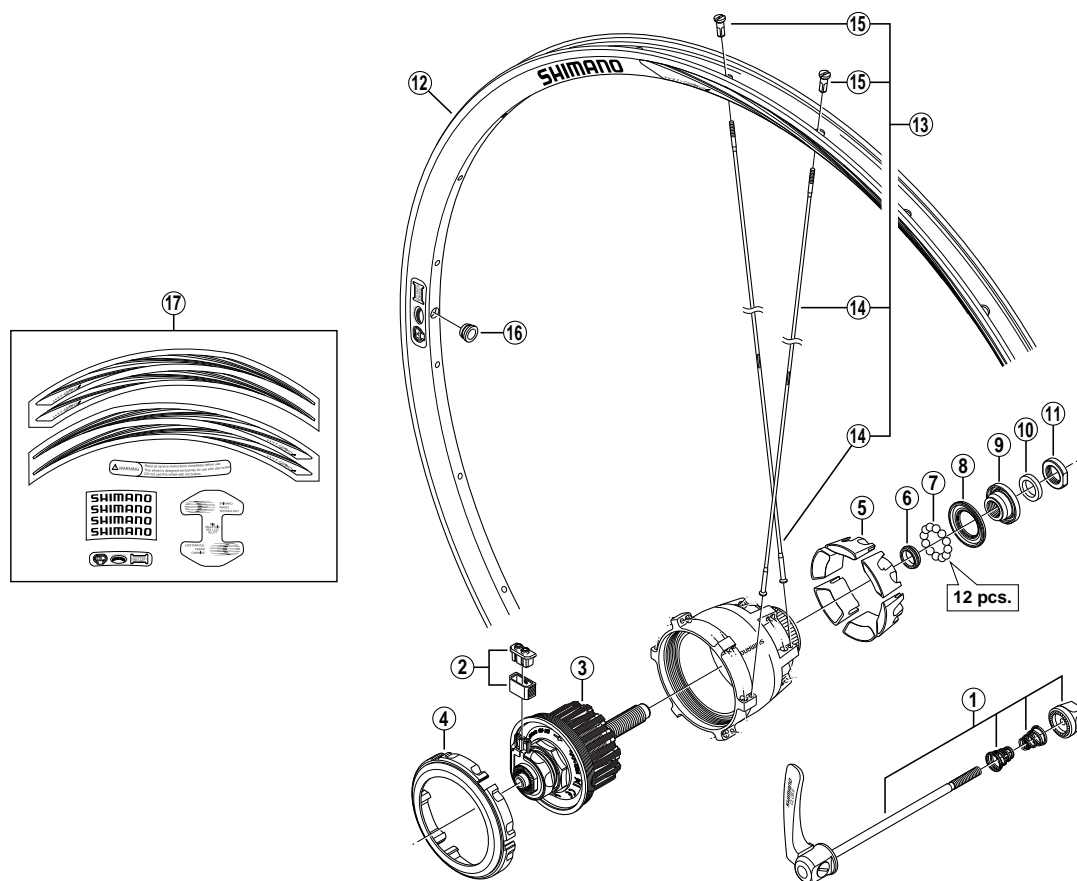


Front Wheel WH-S501-3D 6V-3W



WH-S501-3D

ITEM NO.	SHIMANO CODE NO.	DESCRIPTION	INTERCHANGEABILITY
1	Y-2TB 98010	Complete Quick Release 133 mm (5-1/4") / Silver	A
	Y-4D2 98060	Complete Quick Release 133 mm (5-1/4") / Black	A
2	Y-2SS 98030	Connector Cap & Cover	A
3	Y-4FK 98010	Internal Assembly (Axle Length 108 mm)	
4	Y-4D2 10000	Right Hand Flange Cap (Silver)	A
	Y-4D2 10010	Right Hand Flange Cap (Black)	A
5	Y-4D2 98030	Left Hand Flange Cap (Silver / 6 pcs.)	A
	Y-4D2 98080	Left Hand Flange Cap (Black / 6 pcs.)	A
6	Y-2ZW20000	Grease Guard	
7	Y-000 91210	Steel Ball (3/16") 20 pcs.	A
8	Y-2YX 11000	Seal Ring	
9	Y-2YW98020	Cone (M11 x 12.1 mm) w/Dust Cover	
10	Y-2SS 21020	Left Hand Spacer (2.5 mm)	
11	Y-3BT 04200	Serrated Lock Nut (M11 x 4 mm)	A
12	E-WHRIM2CDGC	Rim (24H / Gray / Anodized)	
	E-WHRIM2CDBC	Rim (24H / Black / Anodized)	
13	E-WHSPOKE1NA1	Spoke Unit (Spoke (292 mm x 24 pcs.) / Nipple (24 pcs.))	A
14	Y-012 AE92C	Spoke (292 mm)	A
15	Y-012 Y3352	Nipple	A
16	Y-4BU04000	Valve Stem Adapter	A
17	Y-4FH 98010	Rim Sticker Unit for Gray Rim	
	Y-4FH 98020	Rim Sticker Unit for Black Rim	

A: Same parts.

B: Parts are usable, but differ in materials, appearance, finish, size, etc.
Absence of mark indicates non-interchangeability.

0807-2888

Specifications are subject to change without notice.

SHIMANO